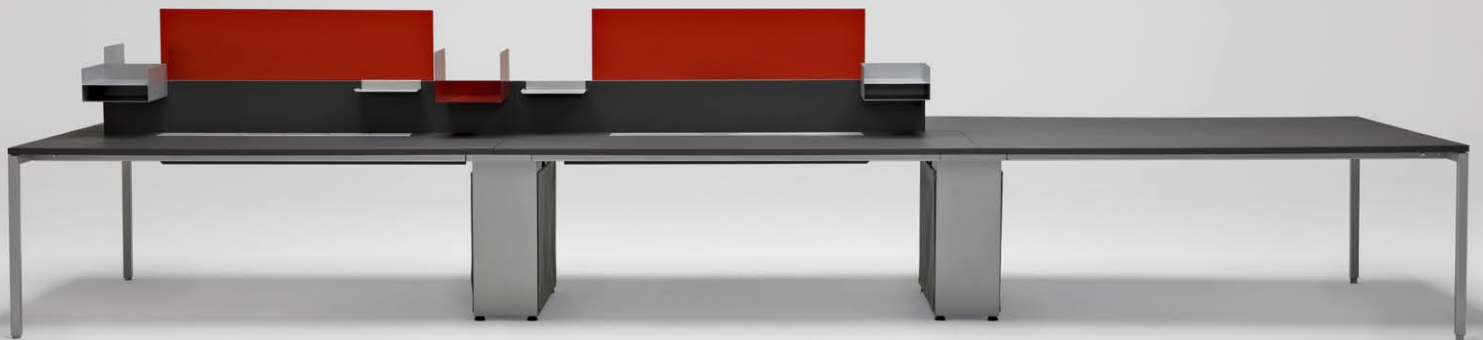


# Kase Dual Bench

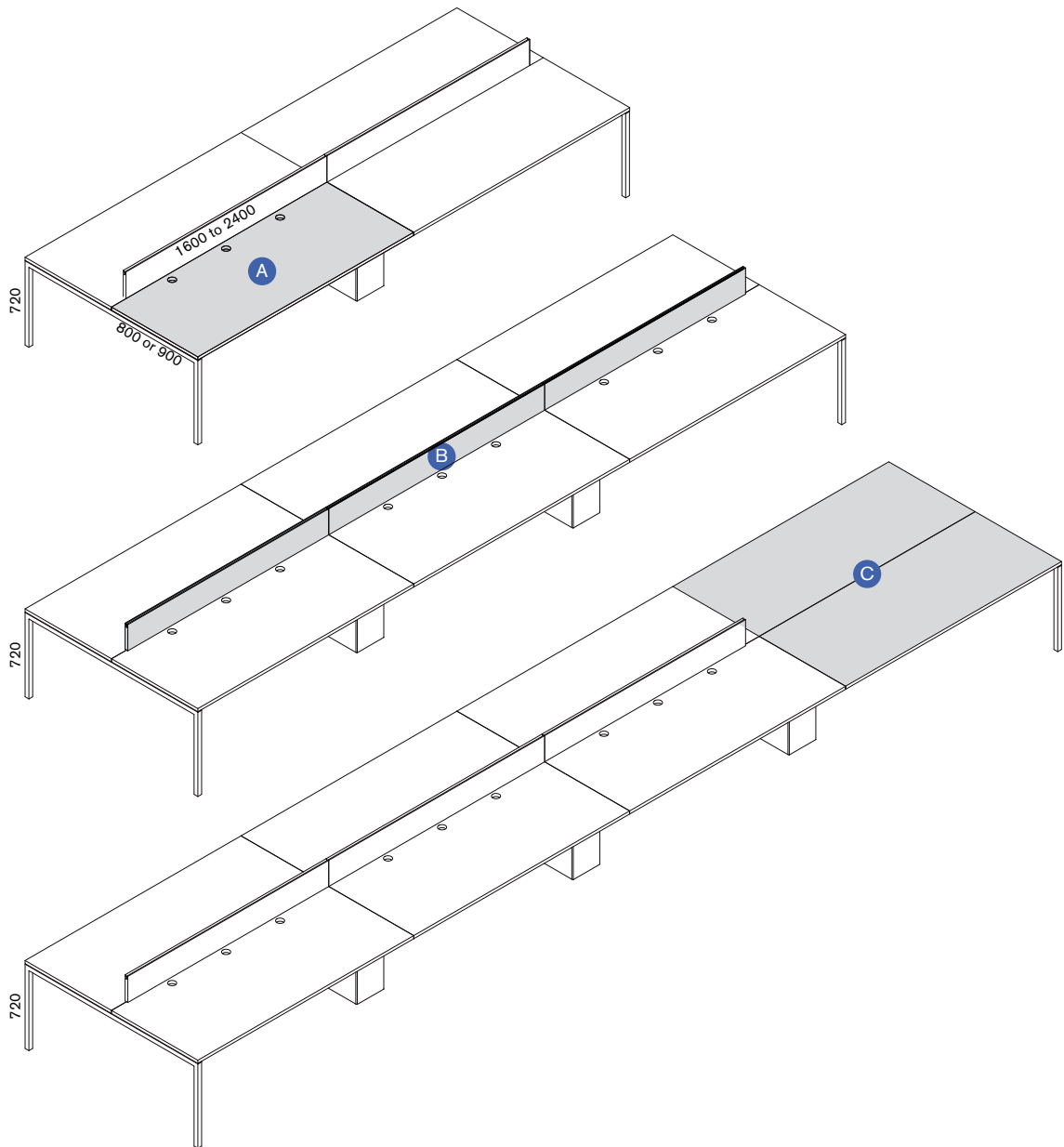


# Introduction

The Dual Bench provides an un-interrupted, shared work surface to enhance communication and co-operation. Flexible desktop accessories keep documents and tools close at hand whilst moveable screens provide privacy.

Designed: 2008

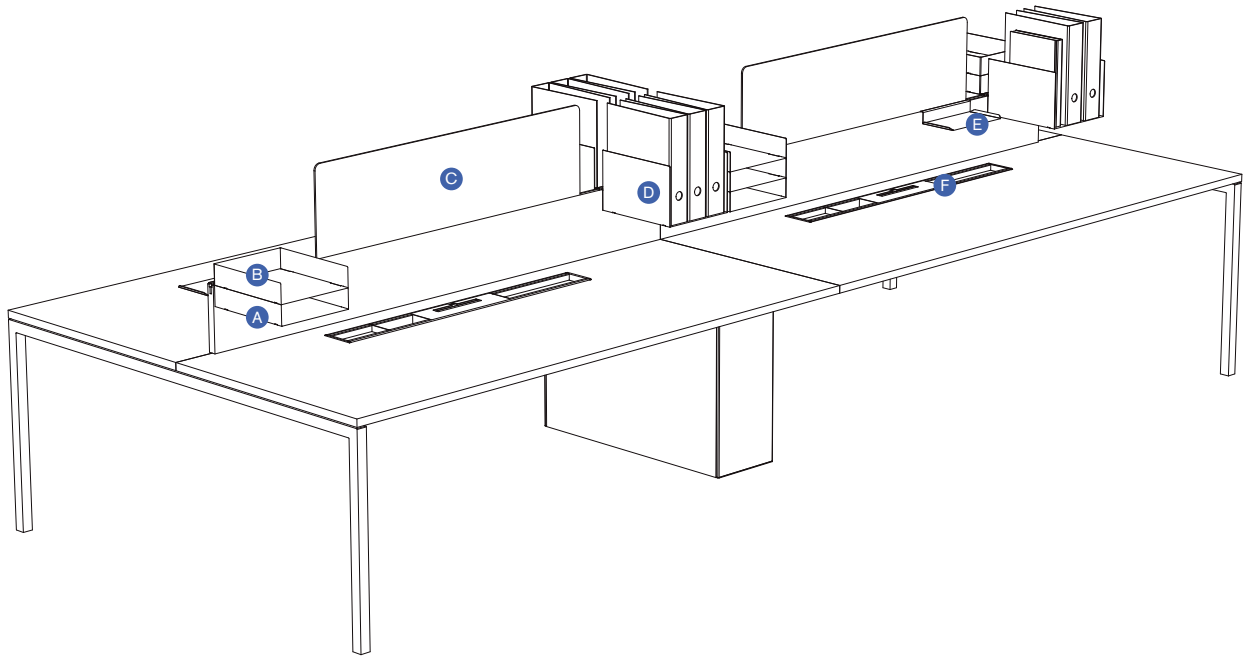
# Configurations



# Specifications

- A** Choose module size.  
Length: 1600/1800/2000mm  
Depth: 800/900  
Height: 720
- B** All Kase Work Dual Benches come standard with central divider and cable ports.
- C** You can specify sections without central divider and cable ports for use as meeting layout areas.

# Accessories



## Moveable Accessories

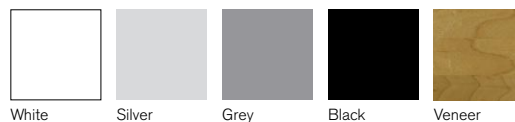
- A** Clip On Paper Tray
- B** Add On Paper Tray
- C** Clip On Screen
- D** Clip On Folder Tray
- E** Clip On Utensil Tray
- F** Accessory and Cable Dish

Plug in power and data options available.

## Finishes

Frames: White/Silver/Grey/Black

Top and Divider: White/Grey/Black/Veneer



White Silver Grey Black Veneer

A range of screen finishes available, please enquire.